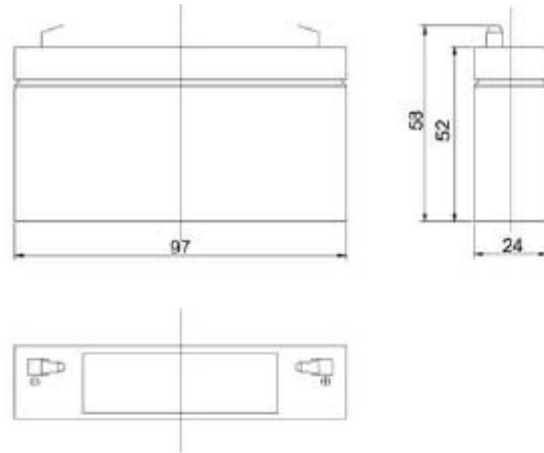


CT1.3-6

6V 1.3Ah Lead Acid Battery



General Specifications and Characteristics

Battery model	CT1,3-6			
Nominal voltage	6V			
Capacity (25°C)	20hR(0.065A, 1.75v)	10hR(0.12A, 1.75v)	5hR(0.19A, 1.75v)	1hR(0.82A, 1.60v)
	1.3Ah	1.2Ah	0.96Ah	0.82Ah
Dimensions Max.	Length	Width	Height	Total Height
	97mm(3.82inch)	24mm(0.94inch)	52mm(2.05inch)	58mm(2.28inch)
Approx. Weight	0.31kg(0.68lbs.)			
Internal resistance	Full charged at 25°C:45mΩ			
Self discharge	3% of capacity declined per month at 20°C			
Capacity affected by temp.(20 hR)	40°C	25°C	0°C	-15°C
	102%	100%	85%	65%
Charge voltage (25°C)	Cycle use		Float use	
	7.25-7.45V(-15mV/°C),max.current:0.48A		6.6-6.9V(-10mV/°C)	

