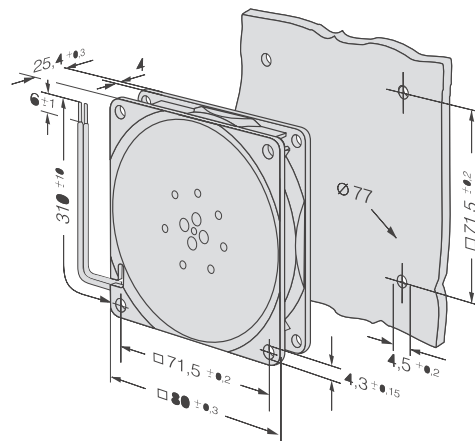
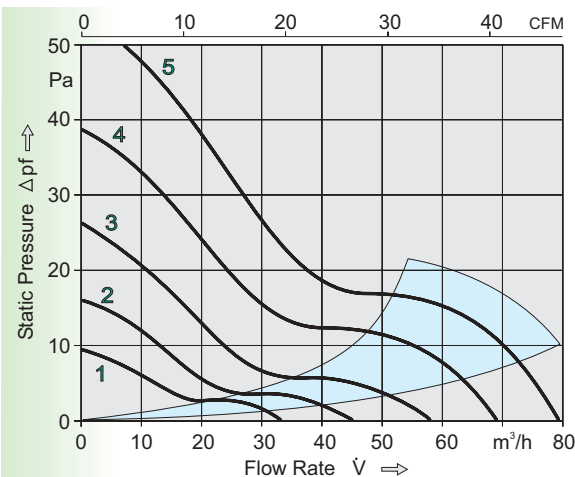


- DC fans with electronically commutated external rotor motors. Fully integrated commutation electronics.
- With electronic protection against reverse polarity, blocking and overloading by PTC-resistor; partially impedance protected.
- Fan of fiberglass reinforced plastic. PBTP housing, PA impeller.
- Air exhaust over struts. Rotational direction CCW looking at rotor.
- Electrical connection via leads AWG 24, TR 64. Stripped and tinned ends.
- Mass 95 g.

SERIES 8400N

80x80x25 mm

Air Flow	Air Flow	Nominal Voltage		Voltage Range		Noise		Sinter-Sleeve Bearings		Power Input	Nominal Speed	Temperature Range	Service Life $t_{50}$		Curve	Type
		m <sup>3</sup> /h	CFM	V DC	V DC	dB(A)	bels	/	●				Watt	min <sup>-1</sup>		
33	19.4	12	8...15	12	3.5	○	0.6	1500	-20...+70	80000 / 40000	1	8412NGL				
33	19.4	12	8...15	17	3.7	●	0.6	1500	-20...+70	80000 / 40000	1	8412NL				
45	26.5	12	8...15	19	3.9	○	0.9	2050	-20...+70	80000 / 40000	2	8412NGML				
45	26.5	12	8...15	21	4.0	●	0.9	2050	-20...+70	80000 / 40000	2	8412NML				
58	34.1	12	8...15	26	4.3	○	1.3	2600	-20...+70	80000 / 40000	3	8412NGM				
58	34.1	12	8...15	27	4.4	●	1.3	2600	-20...+70	80000 / 40000	3	8412NM				
69	40.6	12	8...15	32	4.7	○	2.0	3100	-20...+70	70000 / 35000	4	8412NG				
69	40.6	12	8...15	32	4.7	●	2.0	3100	-20...+70	70000 / 35000	4	8412N				
79	46.5	12	8...13,2	37	5.0	●	2.8	3600	-20...+70	70000 / 35000	5	8412NH				
33	19.4	24	18...28	12	3.5	○	0.7	1500	-20...+70	80000 / 40000	1	8414NGL				
33	19.4	24	18...28	17	3.7	●	0.7	1500	-20...+70	80000 / 40000	1	8414NL				
45	26.5	24	18...28	19	3.9	○	1.1	2050	-20...+70	80000 / 40000	2	8414NGML				
45	26.5	24	18...28	21	4.0	●	1.1	2050	-20...+70	80000 / 40000	2	8414NML				
58	34.1	24	18...28	26	4.3	○	1.4	2600	-20...+70	80000 / 40000	3	8414NGM				
58	34.1	24	18...28	27	4.4	●	1.4	2600	-20...+70	80000 / 40000	3	8414NM				
69	40.6	24	18...28	32	4.7	○	2.0	3100	-20...+70	70000 / 35000	4	8414NG				
69	40.6	24	18...28	32	4.7	●	2.0	3100	-20...+70	70000 / 35000	4	8414N				
79	46.5	24	18...26	37	5.0	●	2.8	3600	-20...+70	70000 / 35000	5	8414NH				





- DC fans with electronically commutated external rotor motors. Fully integrated commutation electronics.
- With electronic protection against reverse polarity, blocking and overloading by PTC-resistor; partially impedance protected.

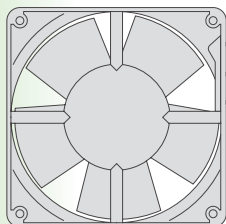
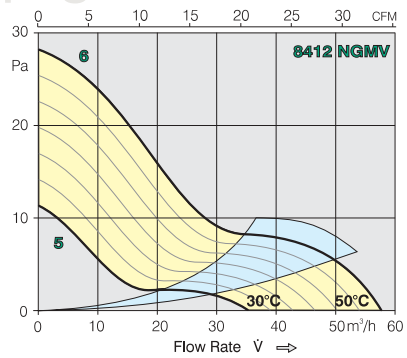
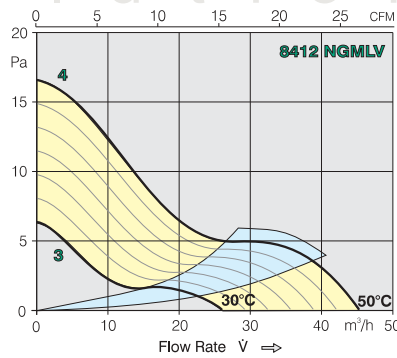
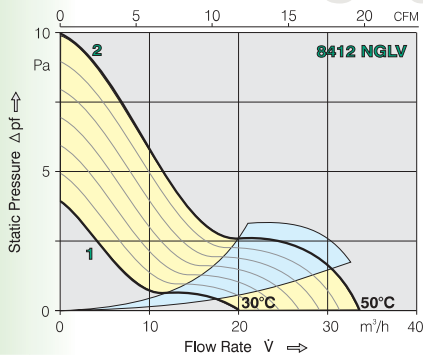
- Fan of fibreglass reinforced plastic. PBTP housing, PA impeller.
- Air exhaust over struts. Rotational direction CCW looking at rotor.
- Electrical connection via leads AWG 24, TR 64. Stripped and tinned ends.
- Mass 95 g.

**SERIES 8400N VARIOFAN**

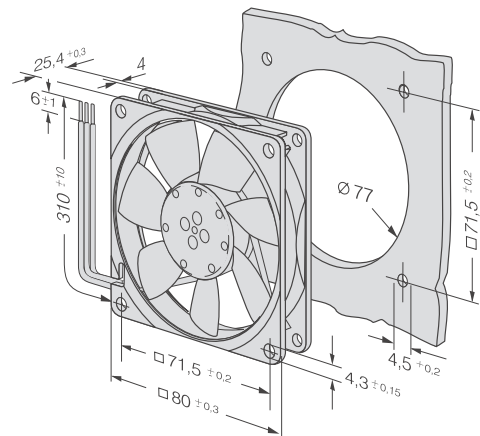
**80x80x25 mm**

	Air $\square$ low		Nominal Voltage		Noise		Sinter-Sleeve Bearings Ball Bearings	Power Input	Nominal Speed	Temperature Range	Service Life $t_{50}$		Curve	Type
	m <sup>3</sup> /h	CFM	V DC	V DC	dB(A)	bels					Hours	Hours		
30-50 °C	20	11.8	12	10...14	<10	<sup>1)</sup>	○	0.6	900	-20...+70	80000 / 45000		1	8412NGLV
	33	19.4	12	8...14	12	3.7	○	0.8	1500	-20...+70	80000 / 45000		2	
30-50 °C	27	15.9	12	8...14	<10	<sup>1)</sup>	○	0.8	1200	-20...+70	80000 / 45000		3	8412NGMLV
	45	26.5	12	8...14	19	4.4	○	1.1	2050	-20...+70	80000 / 45000		4	
30-50 °C	35	20.6	12	8...14	<13	<sup>1)</sup>	○	1.2	1600	-20...+70	80000 / 40000		5	8412NGMV
	58	34.1	12	8...14	26	4.7	○	1.5	2600	-20...+70	80000 / 40000		6	

<sup>1)</sup> not measurable



The temperature sensor for controlling the motor speed is not included in delivery. Temperature sensor LZ 370 see accessories page 76.





- DC fans with electronically commutated external rotor motors. Fully integrated commutation electronics.
- With electronic protection against reverse polarity, blocking and overloading by PTC-resistor; partially impedance protected.
- Fan of fibreglass reinforced plastic. PBTP housing, PA impeller.
- Air exhaust over struts. Rotational direction CW looking at rotor.
- Electrical connection via 2 leads AWG 22, TR 64. Stripped and tinned ends
- Mass 170 g.

**SERIES 8300**

80x80x32mm

Air Flow	Air Flow	Nominal Voltage		Voltage Range		Noise		Sinter-Sleeve Bearings Ball Bearings	Power Input	Nominal Speed	Temperature Range	Service Life L <sub>10</sub> at t <sub>max</sub>		Curve	Type
		m <sup>3</sup> /h	CFM	V DC	V DC	dB(A)	bels					Hours	Hours		
32	18.8	12	6...15	24	4.0	○	1.0	2000	-20...+75	80000 / 35000	1	8312GL			
32	18.8	12	6...15	24	4.0	●	1.0	2000	-20...+75	80000 / 35000	1	8312L			
48	28.3	12	6...15	34	5.0	○	1.8	3000	-20...+75	70000 / 30000	2	8312GM			
48	28.3	12	6...15	34	5.0	●	1.8	3000	-20...+75	70000 / 30000	2	8312M			
54	31.8	12	6...15	36	5.2	○	2.5	3300	-20...+75	70000 / 30000	3	8312G			
54	31.8	12	6...15	36	5.2	●	2.2	3300	-20...+75	70000 / 30000	3	8312			
67	39.4	12	6...15	43	5.8	●	4.0	4200	-20...+75	62500 / 27500	4	8312HL			
32	18.8	24	12...28	24	4.0	●	1.0	2000	-20...+75	80000 / 35000	1	8314L			
48	28.3	24	12...28	34	5.0	●	2.1	3000	-20...+75	70000 / 30000	2	8314M			
54	31.8	24	12...28	36	5.2	○	2.5	3300	-20...+75	70000 / 30000	3	8314G			
54	31.8	24	12...28	36	5.2	●	2.5	3300	-20...+75	70000 / 30000	3	8314			
67	39.4	24	12...28	43	5.8	●	4.3	4200	-20...+75	62500 / 27500	4	8314HL			
80	47.1	24	20...26.5	48	6.2	●	6.0	5000	-20...+75	55000 / 25000	5	8314H			
54	31.8	48	36...56	36	5.2	●	3.6	3300	-20...+75	70000 / 30000	3	8318			

