

SNP-C15 Series

150 W AC/DC Switch Mode Power Supplies

CoolPower
Solutions

- Aktiivinen PFC
- ITE sovelluksiin
- Korkeus vain 1.5"
- LED merkkivalo
- Lähtöjännitteen säätö-trimmerillä
- Hyötysuhde 82%...87%
- Käyttölämpötila-alue -20°C...70°C
- Built-in active PFC
- With ITE safety
- Only 1.5 inch height
- With power on LED
- With output adjustable trimmer
- Efficiency between 82% to 87%
- Operation from -20°C to 70°C by convection



Tekniset tiedot

Tulojännite:
Tulotaajuus:
Syöksyvirta:

Lähtöjännite:
• Säätöalue:
Maks. teho:
Maks. virta:
Kuormaregulointi:
Linjaregulointi:

Lämpötila-alue:

Rippeli:
Hyötysuhde:

Pitoaika:

Ylikuormitussuojaus:
Oikosulkusuojaus:
Ylijännitesuojaus:
Jäähdytys:
Varastointilämpötila:
Sähköiset turvanormit:

EMC standardit:
• Emissio:
• Immunitaetti:
Mitat (PxLxK):
Paino:

Technical specifications

Input voltage: 85-264 VAC
Input Frequency: 47-63 Hz
Inrush Current: < 60 A at 230 VAC
Cold start, 25°C
Output voltage: See table
• Internally adjustable: See table
Max. output power: 100 W, Peak 150 W 8 s.
Max. load current: See table
Load regulation: ± 1,0% See table
Line regulation: ± 1,0%

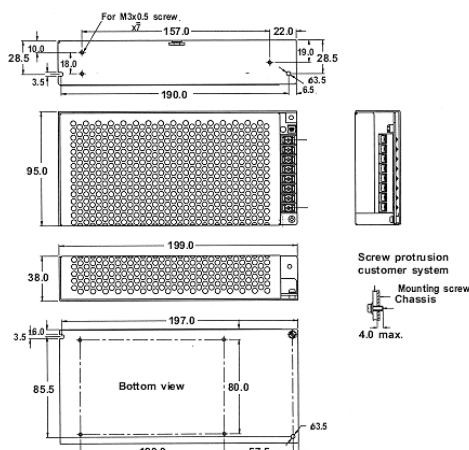
Temperature range: -20°C ... +70°C
Derating: 2,5%/°C>50
Ripple: See table
Efficiency: 80% ... 87% see table
(rated load and 115VAC)
Hold up time: 16 ms typical
(rated load and 115VAC)
Overload protection: Auto recovery
Short Circuit Protection: Auto recovery
Over Voltage protection: Latch off
Cooling: Free air convection
Storage temperature: -40°C ... +75°C
Electrical safety standard: EN 60950-1, UL 60950-1, CSA C22.2 No. 60950-1

EMC standards
• Emission: EN61000-4-2,-3,-4,-5,-6,-8,-11
• Immunity: FCC"B", EN 55022"B", EN55011"B"
Dimensions (LxWxH): 199 x 95 x 38 mm
Weight: 770 g

Jotkin tekniset arvot saattavat vaihdella muiden mallien ja jänniteversioiden osalta.

Some technical specifications may differ for other models and voltage versions

Mekaaniset tiedot – Mechanical Specifications



1. Dimensions shown in mm as left. Tolerance: ± 0.4 mm.
2. Size 95 x 199 x 38 mm.
3. Connectors: AC input & DC output:
Terminal Blocks, 8.25 mm interval
4. Output Pin assignment:

Pin no:	1	2	3	4	5	6	7	8
SNP-C157	AC/L	AC/N	Earth	GND	+ 12V			
SNP-C158	AC/L	AC/N	Earth	GND	+ 15V			
SNP-C159	AC/L	AC/N	Earth	GND	+ 24V			
SNP-C15T	AC/L	AC/N	Earth	GND	+ 48V			
SNP-C153	AC/L	AC/N	Earth	+ 12 V	GND	+5.0V		
SNP-C15A	AC/L	AC/N	Earth	+ 24 V	GND	+5.0V		
SNP-C150	AC/L	AC/N	Earth	- 12 V	- 5V	+ 12V	GND	+5.0V
SNP-C154	AC/L	AC/N	Earth	- 15 V	- 5V	+ 15V	GND	+5.0V
SNP-C15F	AC/L	AC/N	Earth	- 12 V	+ 24V	+ 12V	GND	+5.0V

Jänniteversiot – Voltage versions

Malli Model	Lähtöjännite (VDC) Output voltage (VDC)		Kuormitus (A) Load (A)				Rippeli Ripple	Load reg Regulointi	Hyötysuhde Efficiency Tyypillinen Typical
	Nimellinen Nominal	Säätöalue Adjustable	Min	Rated	Max	Peak			
SNP-C157	+12 V	11.40 V...12.60 V	0 A	12.5 A		19 A	120mVpp	± 1 %	86 %
SNP-C158	+15 V	14.25 V...15.75 V	0 A	10.0 A		15 A	150mVpp	± 1 %	86 %
SNP-C159	+24 V	22.80 V...25.20 V	0 A	6.5 A		10 A	240mVpp	± 1 %	87 %
SNP-C15T	+48 V	45.60 V...50.40 V	0 A	3.2 A		5.0 A	240mVpp	± 1 %	87 %
SNP-C153	+5 V	4.95 V...5.05 V	0 A	12 A	15 A	18 A	50mVpp	± 2 %	83 %
	+12 V	11.40 V...12.60 V	0 A	6.0 A	8.0 A	9.0 A	120mVpp	± 2 %	
SNP-C15A	+5 V	4.95 V...5.05 V	0 A	8.0 A	10 A	12 A	50mVpp	± 2 %	84 %
	+24 V	11.40 V...12.60 V	0 A	4.0 A	5.0 A	6.0 A	240mVpp	± 2 %	
SNP-C150	+5 V	4.95 V...5.05 V	0 A	12 A	15 A	20 A	50mVpp	± 3 %	82 %
	+12 V	11.40 V...12.60 V	0 A	5.0 A	7.0 A	10 A	120mVpp	± 3 %	
	-12 V	-11.40 V...-12.60 V	0 A	0.5 A	1.0 A		120mVpp	± 3 %	
	-5 V	-4.95 V...-5.05 V	0 A	1.0 A			50mVpp	± 3 %	
SNP-C154	+5 V	4.95 V...5.05 V	0 A	11 A	14 A	20 A	50mVpp	± 3 %	83 %
	+15 V	14.25 V...15.75 V	0 A	4.0 A	4.0 A	8.0 A	150mVpp	± 3 %	
	-15 V	-14.25 V...-15.75 V	0 A	0.5 A	1.0 A		150mVpp	± 3 %	
	-5 V	-4.95 V...-5.05 V	0 A	1.0 A			50mVpp	± 3 %	
SNP-C15F	+5 V	4.95 V...5.05 V	0 A	6.0 A	8.0 A	10 A	50mVpp	± 3 %	83 %
	+12 V	11.40 V...12.60 V	0 A	3.0 A	4.0 A	6.0 A	120mVpp	± 3 %	
	+24 V	22.80 V...25.20 V	0 A	2.5 A	3.0 A	5.0 A	240mVpp	± 3 %	
	-12 V	-11.40 V...-12.60 V	0 A	0.5 A	1.0 A		120mVpp	± 3 %	

* Saatavilla myös DIN-kiskokiinnikkein
* Available with bracket for DIN-rail montage.

Huomioitavaa – Notes

1. The max load can be continuously provided at 50°C and convection cooling conditions. The peak load can be temporarily provided up to 8 seconds.
2. At factory, all outputs in 60% rated load condition, each output is checked to be within the accuracy range while the main output is setting to within the specified accuracy range at rated load.
3. Line regulation is defined by changing $\pm 10\%$ of input voltage from nominal line at rated load.
4. Load regulation is defined by changing $\pm 40\%$ of measured output load from 60% rated load at another output set to 60% rated load.
5. Ripple & noise is measured by using 15MHz bandwidth limited oscilloscope and terminated each output with a 0.47uF + 10uF capacitor at rated load and nominal line.
6. Hold up time is measured from the end of the last charging pulse to the time which the main output drop down to regulation limit at rated load and nominal line.